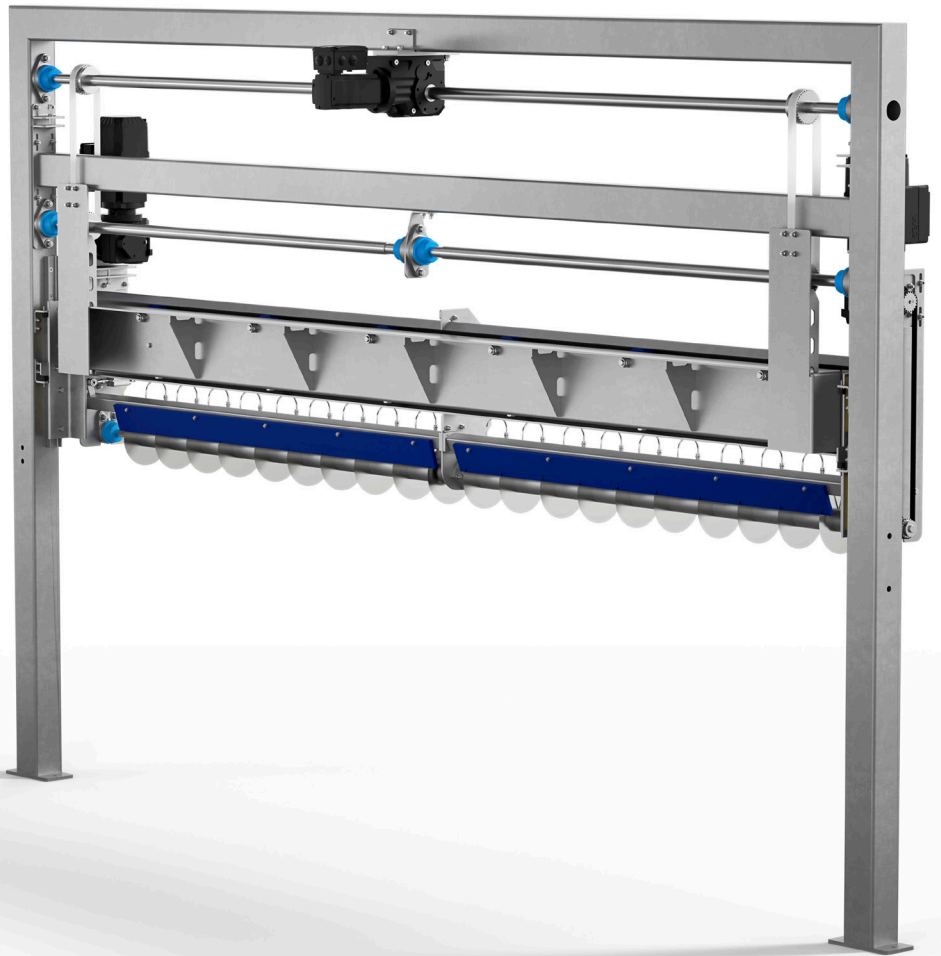


Precise cut's in dough pieces



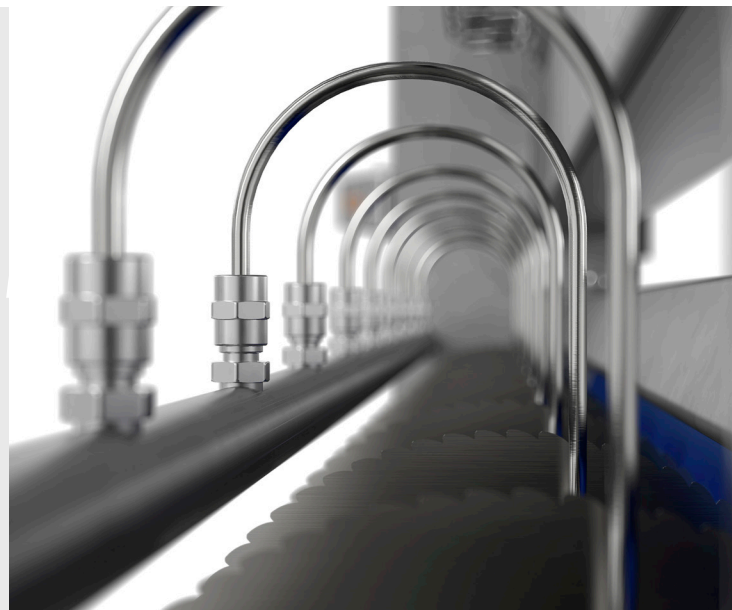
SCORING UNIT Circular blades

Danmatic's Scoring Unit is designed for making precise cut's in dough pieces and can be used for both dough in Tins & dough on a conveyor belt.

Excellent durability of the blades is achieved by using stainless steel and a rigid frame to prevent vibrations. The blades are kept clean during production by an automatic scraper, which is activated after a set amount of cycles.

To help keeping the blades clean, the optional water nozzles can be added, this can be beneficial for certain types of dough.

The shaft assembly is a separate unit and can be easily moved away from the line for cleaning & maintenance by using a mobile trolley.



SCORING UNIT

circular blades

Benefits

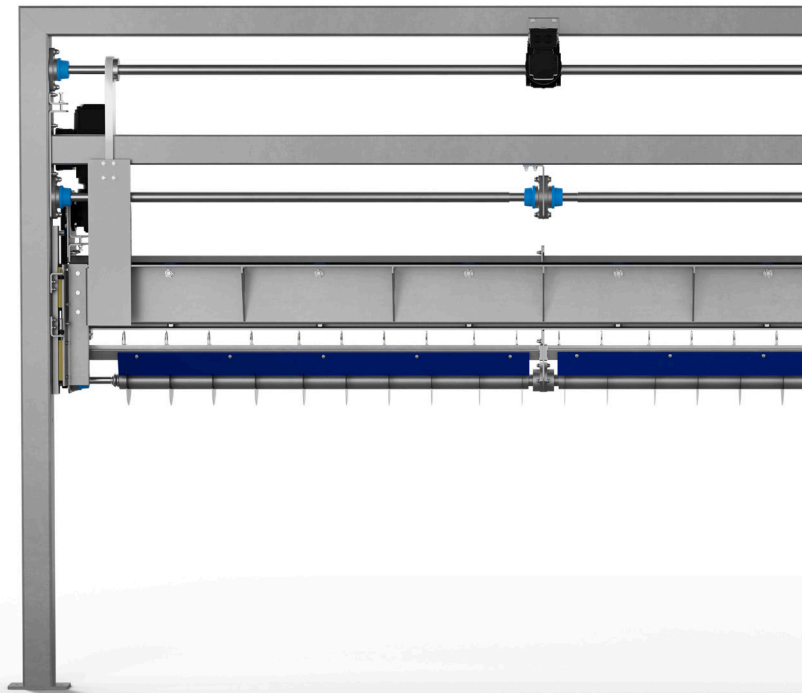
- Long lasting blades, in stainless steel
- Precise movement of the blades with servo motor
- Automatically activated scraper for the blades
- The whole assembly with the blade shaft can be easily moved to a transport trolley without the use of tools. Hereby making cleaning and service an easy task

Technical data

- Available in seeding width from 300 to 2.000 mm
- Operated via its own PLC-control
- Manufactured in stainless steel and food approved materials

Options

- Water nozzle for each individual blade
- Extra shaft assembly for quick changeover between scoring patterns

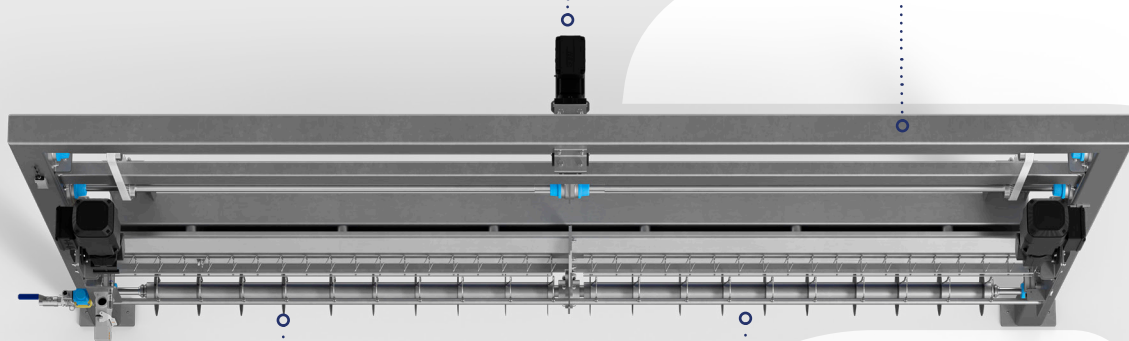


SERVO MOTOR

Precise control of the movement of the blades with servo motor

RIGID FRAME

Rigid frame construction ensures a stable and precise scoring of the dough.



CIRCULAR BLADES

Durable blades

SHAFT ASSEMBLY

Removable shaft assembly for easy changeover, cleaning & service